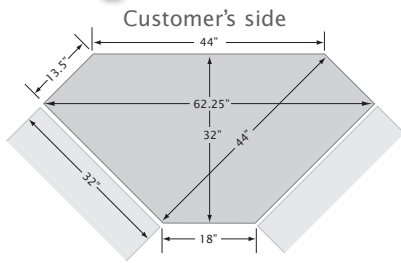


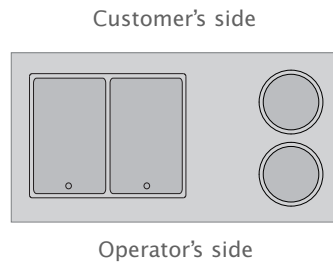
Front Line **SERVERY** SYSTEMS

Specifications

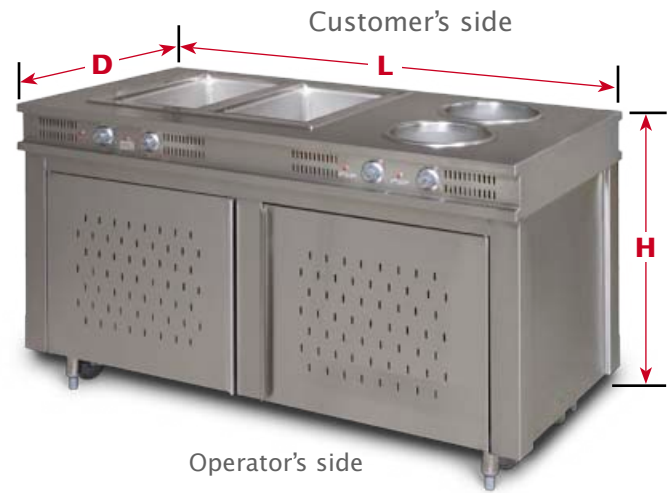


Corner Unit

see page 29 for more info



Operator's side



Operator's side

Tarrison Servery Model Numbers and Specs for base cabinet to which components can be added

Model Number	Description (R=Rectangle; RD=Round)	Depth	Length	Height	Weight lbs.
TSU-24001	n/a	32"	24"	35"	125
TSU-30001	n/a	32"	30"	35"	160
TSU-36001	n/a	32"	36"	35"	180
TSU-42001	n/a	32"	42"	35"	200
TSU-48001	n/a	32"	48"	35"	220
TSU-62001	n/a	32"	62"	35"	260
TSU-74001	n/a	32"	74"	35"	300
TSU-84001	n/a	32"	84"	35"	340
TSU-96001	n/a	32"	96"	35"	380
TSCU-001	n/a	see above		35"	200

Model number and weight change based on drop-in components; depth, length and height remain constant.

Measurements

D - (depth) x **L** - (length) x **H** - (height)

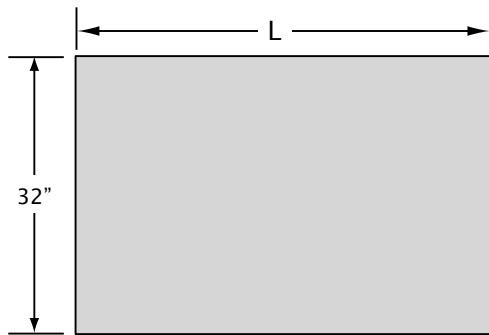
All sizes nominal, detailed specifications available upon request.

Specifications subject to change without notice.

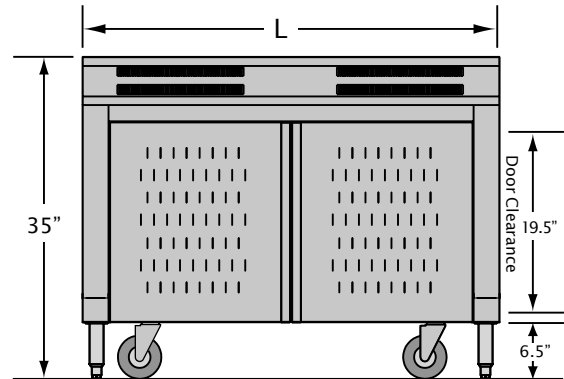
Custom 36" and 42" Depths available on request - P.O.A.

(Add "36" or "42" suffix to model numbers)

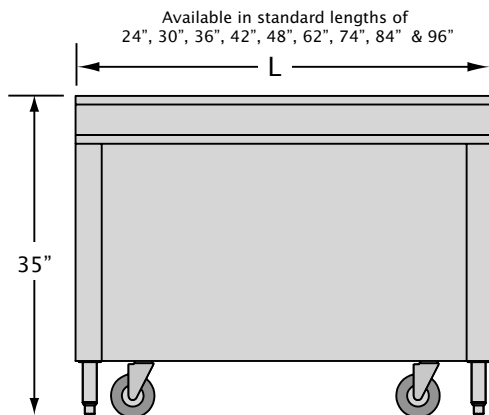
A.D.A. compliant units available.



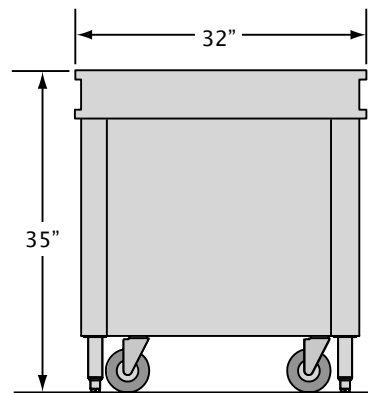
Top View



Operator Side



Customer Side



Side View