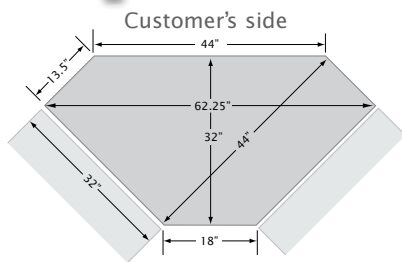
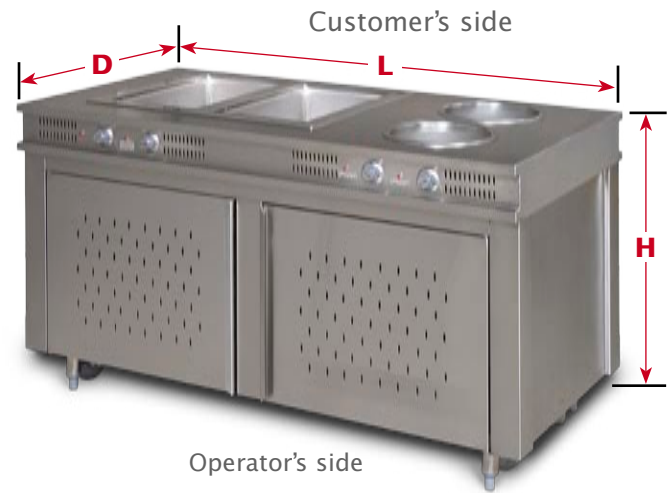
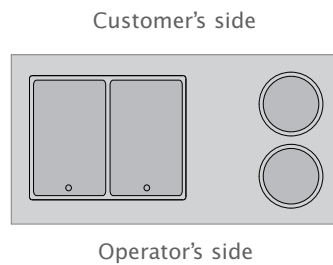


## Specifications



**Corner Unit**

see page 29 for more info



### Measurements

**D** - (depth) x **L** - (length) x **H** - (height)

All sizes nominal, detailed specifications available upon request. Specifications subject to change without notice.

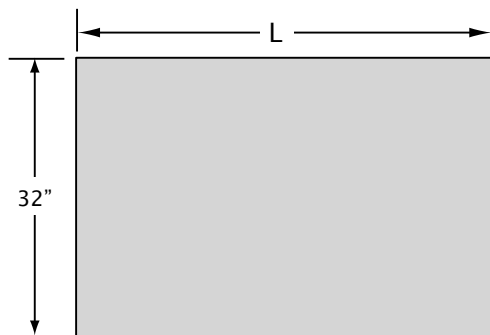
**Custom 36" and 42" Depths available on request - P.O.A.**

(Add "36" or "42" suffix to model numbers)  
A.D.A. compliant units available.

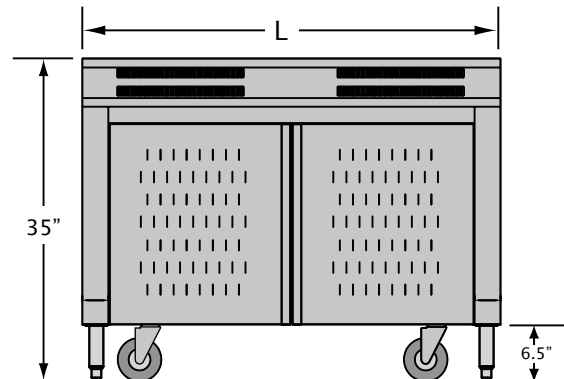
### Tarrison Servery Model Numbers and Specs for base cabinet to which components can be added

Model Number	Description (R=Rectangle; RD=Round)	Depth	Length	Height	Weight lbs.
TSU-24001	n/a	32"	24"	35"	125
TSU-30001	n/a	32"	30"	35"	160
TSU-36001	n/a	32"	36"	35"	180
TSU-42001	n/a	32"	42"	35"	200
TSU-48001	n/a	32"	48"	35"	220
TSU-62001	n/a	32"	62"	35"	260
TSU-74001	n/a	32"	74"	35"	300
TSU-84001	n/a	32"	84"	35"	340
TSU-96001	n/a	32"	96"	35"	380
TSCU-001	n/a	see above		35"	200

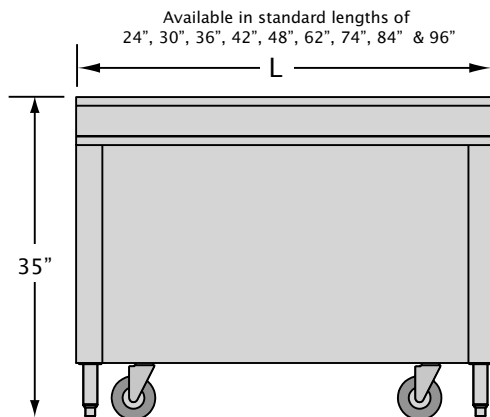
Model number and weight change based on drop-in components; depth, length and height remain constant.



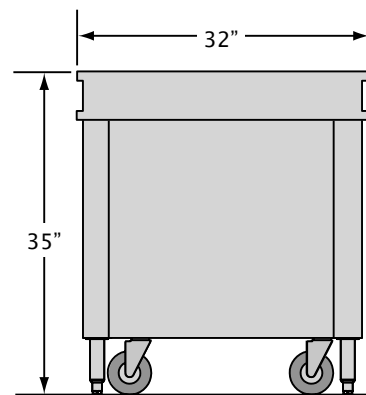
**Top View**



**Operator Side**



**Customer Side**



**Side View**