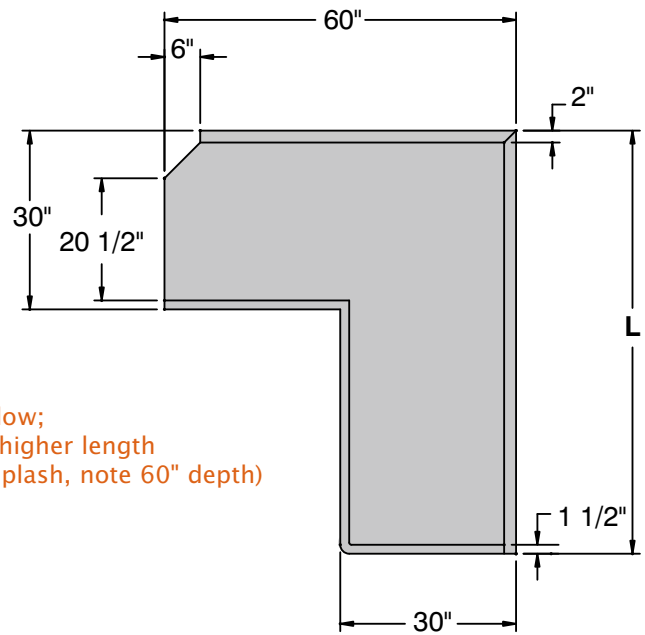


**CORNER CLEAN LEFT**



**CORNER CLEAN RIGHT**

Standard in lengths listed below;  
for custom lengths use next higher length  
(finished with flat end, side splash, note 60" depth)

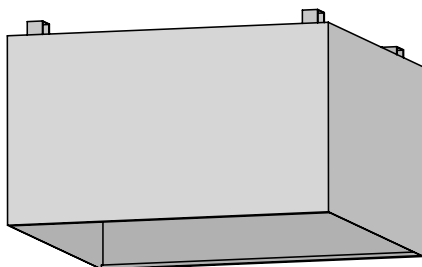
## Corner Clean Dish Table

- Heavy duty 16 Gauge stainless steel
- 7.5" backsplash
- Galvanized legs with adjustable bullet feet
- Three sided open base
- Order "L" for table left of dishwasher; order "R" for table right of dishwasher
- Signed drawing required to process order
- See page 17 for accessories

| Left Model No. | Right Model No. | Overall Size D" x L" x H" | Weight lbs. |
|----------------|-----------------|---------------------------|-------------|
| CCDT60L        | CCDT60R         | 60 x 60 x 35              | 170         |
| CCDT72L        | CCDT72R         | 60 x 72 x 35              | 195         |
| CCDT84L        | CCDT84R         | 60 x 84 x 35              | 210         |
| CCDT96L        | CCDT96R         | 60 x 96 x 35              | 220         |
| CCDT108L       | CCDT108R        | 60 x 108 x 35             | 240         |
| CCDT120L       | CCDT120R        | 60 x 120 x 35             | 260         |

Optional Stainless Steel Legs and Undershef available, see page 18

Sizes nominal, detailed specifications available upon request.  
Specifications subject to change without notice.



## Condensate Hood

- see page 21