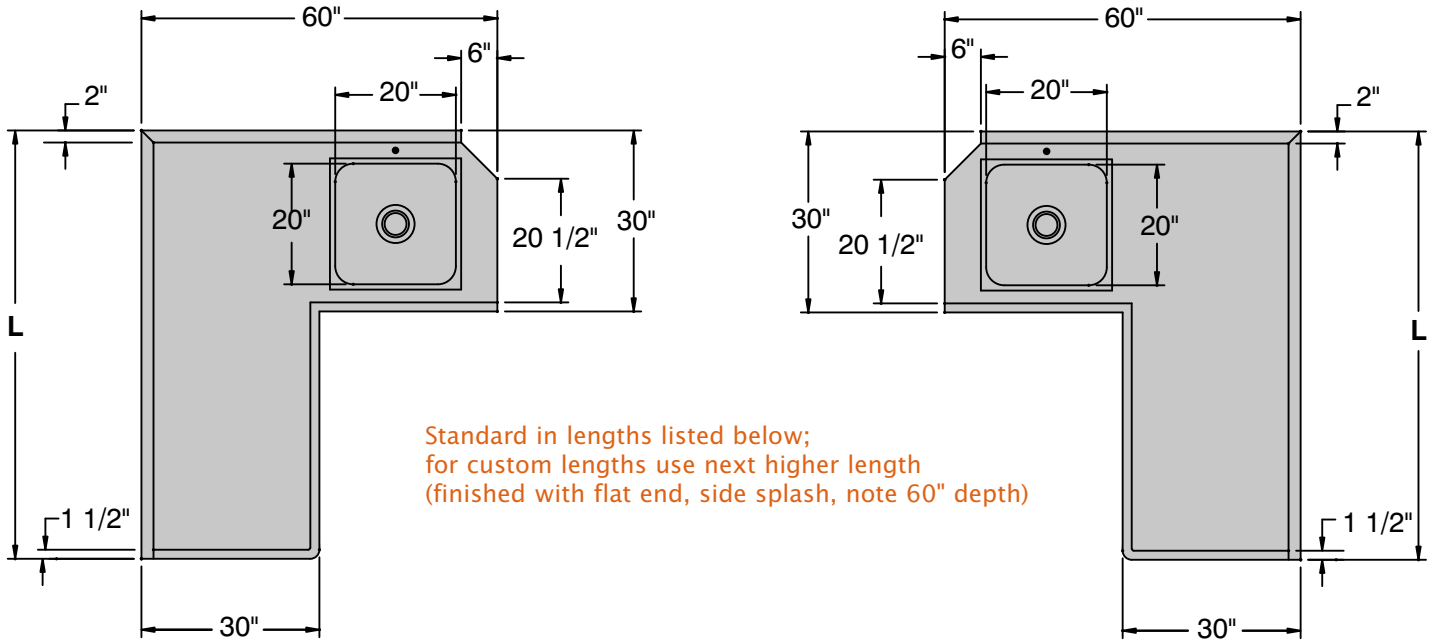


Soiled Dish Tables



Corner Soiled Dish Table

- Heavy duty 16 Gauge stainless steel construction, complete with:
 - 7.5" backsplash
 - Stainless steel perforated pre-rinse basket
 - Single Deck faucet hole
 - Galvanized legs and cross brace and adjustable bullet feet
 - Order "L" for table left of dishwasher; order "R" for table right of dishwasher
 - Signed drawing required to process order
 - See page 21 for Sorting Racks

Left Model No.	Right Model No.	Overall Size D" x L" x H"	Prerinse Bowl Size D" x L" x H"	Weight lbs.
CSDT60L	CSDT60R	60 x 60 x 35	20 x 20 x 5	175
CSDT72L	CSDT72R	60 x 72 x 35	20 x 20 x 5	190
CSDT84L	CSDT84R	60 x 84 x 35	20 x 20 x 5	200
CSDT96L	CSDT96R	60 x 96 x 35	20 x 20 x 5	210
CSDT108L	CSDT108R	60 x 108 x 35	20 x 20 x 5	225
CSDT120L	CSDT120R	60 x 120 x 35	20 x 20 x 5	240

Optional Stainless Steel Legs and Undershelf available, see page 23

Sizes nominal, detailed specifications available upon request.
Specifications subject to change without notice.

Accessories for Dish Tabling

Description	Model No.
Scrap Chute, 6", welded in place	TF-SC6
Garborator Hole per spec	TF-GH
Floor Trough 12"x12"	FT1212
Floor Trough 12"x24"	FT1224
Floor Trough 12"x36"	FT1236
Floor Trough 12"x48"	FT1248
Floor Trough 12"x60"	FT1260

