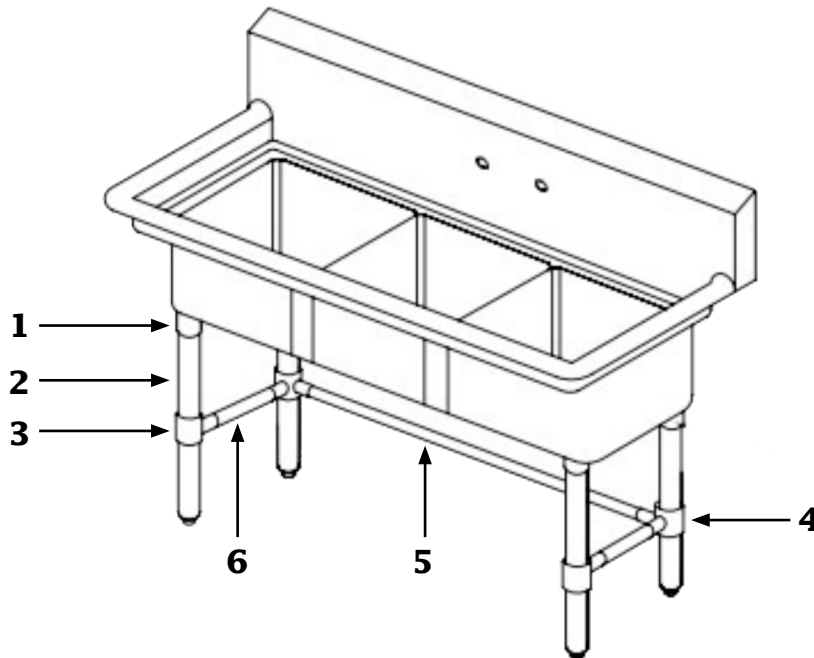




Model PS3-18
Fully assembled for reference



Knock Down Compartment Sink

Drawing Item No.	Description	Quantity
1	Single, Double or Triple Compartment Sink with 4 each gussets on the bottom	1
2	Legs complete with adjustable feet	4
3	Single brace connector	2
4	Double brace connector	2
5	Long connecting pipe	1
6	Short connecting pipe	2
7	Set screws (not shown)	1 package
8	Allen key (not shown)	1

Assembly Instructions

Follow the steps below to prepare your compartment sink for a proper installation, negating any warpage issues:

- 1 - Turn the sink upside down with the gussets facing up
- 2 - Insert the 4 legs (with adjustable feet) provided into the gussets
- 3 - Insert set screws through the gusset hole and 'finger tighten' – do not secure at this time
- 4 - Fit the single and double brace connectors over the legs as shown and finger tighten set screws allowing 8" clearance or per local codes as required
- 5 - Insert long connecting pipe into double brace connector
- 6 - Insert short connector pipe into single and double brace as shown
- 7 - Tighten all set screws with Allen key provided
- 8 - Turn assembled unit upright, place into desired location and level with adjustable feet.
- 9 - Install grease interceptor and faucet as supplied by others based on local codes
- 10 After plumbing connections, peel protective paper off the sink and secure to the wall with food grade silicone adhering to local building codes as required

Following the instructions above while adhering to local plumbing and building codes will negate warpage issues.

Tarrison Products Ltd.

Corporate Head Office

2780 Coventry Road, Oakville, Ontario, L6H 6R1
Phone: 905-825-9665 ▪ Fax: 905-825-0965
sales@tarrison.com ▪ www.tarrison.com

US Sales Office

12 Riverview Drive, Essex Junction, VT, 05452
Phone: 802-872-9292 ▪ Fax: 802-878-9603
jeffc@tarrison.com ▪ www.tarrison.com