

## Worktables with Undershef

### INSTALLATION INSTRUCTIONS

#### CAUTION

INSPECT CONTENTS IMMEDIATELY AND FILE CLAIM WITH DELIVERING CARRIER FOR ANY DAMAGE.  
**SAVE YOUR BOX AND ALL PACKING MATERIALS.**  
YOU ARE RESPONSIBLE FOR DAMAGE TO YOUR UNIT IF RETURNED IMPROPERLY PACKED.

#### This package contains:

- (1) Tabletop
- (1) Undershef
- (4/6) Legs
- (8/12) Set screws

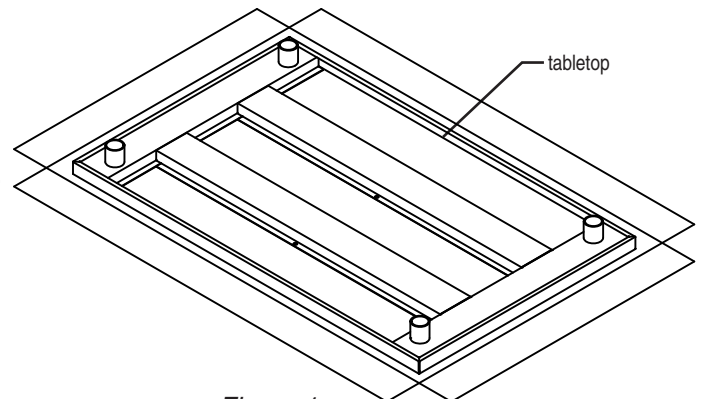
#### Tool required:

- 5/32" allen wrench



#### Step 1

Lay the tabletop flat on the box to protect the finish during assembly.  
See *Figure 1*.



*Figure 1*

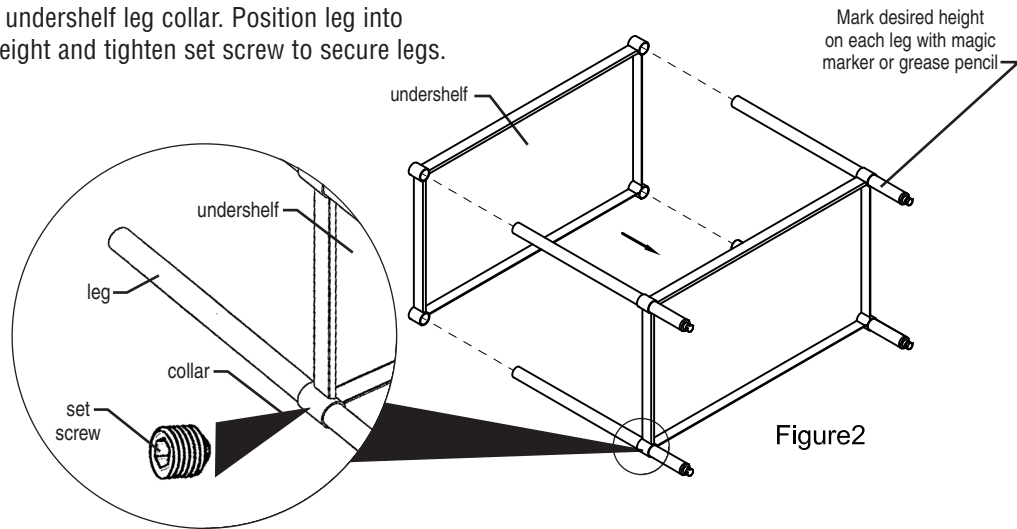
**(continued on back page)**

## Worktables with Undershaft

### INSTALLATION INSTRUCTIONS

#### Step 2

Insert set screws into undershaft leg collar. Position leg into leg collar to desired height and tighten set screw to secure legs.



#### Step 3

Insert legs and undershaft assembly into gussets of the tabletop as indicated in *Figure 3*. Tighten set screws.

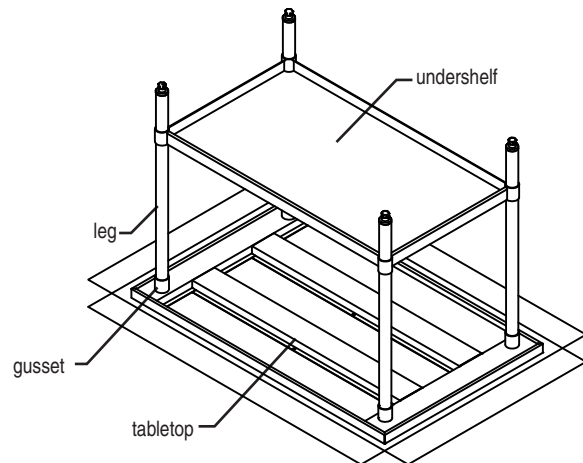


Figure 3

#### Step 4

Turn table upright and level by adjusting bullet feet.

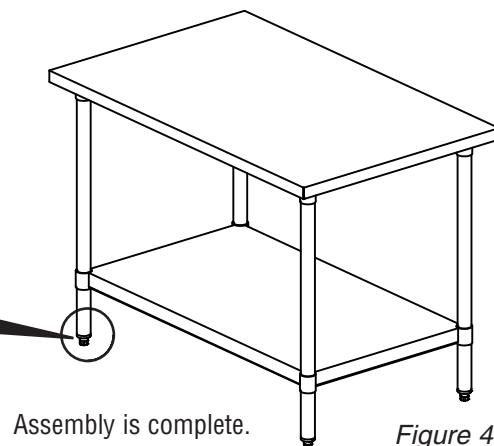
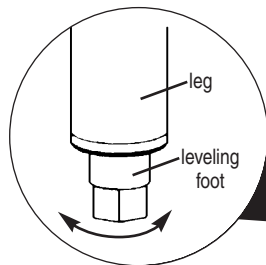


Figure 4

(End)