

PLEASE MAKE SURE LOCKNUTS ARE USED.  
ALLEN KEY IS SUPPLIED.

Assembly Drawing

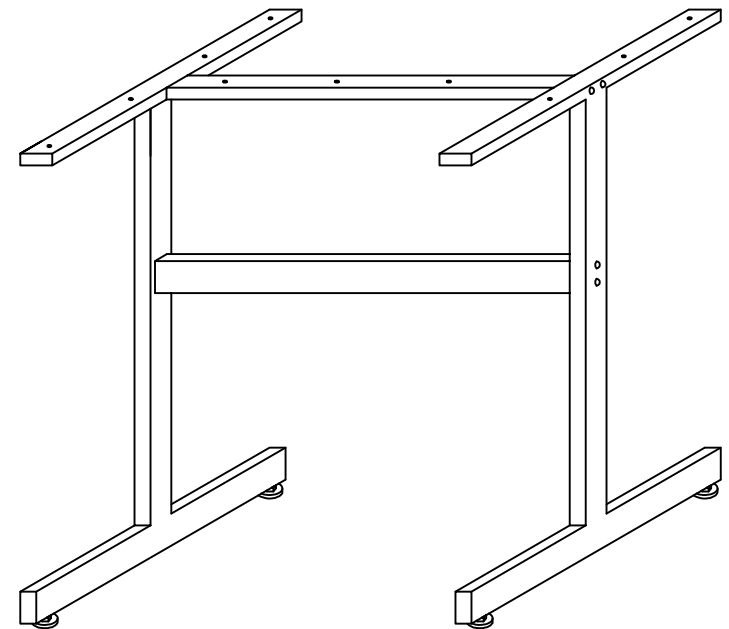


Table Base Fully Assembled



2780 Coventry Road,  
Oakville, Ontario, L6H 6R1  
Phone: 905-825-9665

Fax: 905-825-0965  
sales@tarrison.com  
www.tarrison.com

PROJECT NAME: Table Base Assembly	PO #: 0	DATE: 8/05/14	REVISIONS:		APPROVALS:		
MODEL #: TB-HB2824PC	ITEM #: 1	Q'TY: Lot	MATERIAL: 16 Ga. S/S POWDER COAT FINISH - SATIN TEX	#	DATE:	BY:	Accessory Locations MUST BE Verified Prior TO Unit Being Fabricated
CUSTOMER: A	DRAWN BY: A.R.	SCALE: 1/2"=1'-0"	DRAWING # / Order: 140508	1			
				2			
				3			Location Verified By: _____ Date: _____
				4			
				5			Drawing Approved By: _____ Date: _____